

Specification of: DDM 133/190 7725A6 1F 2P 1V +FL == 6102AT

High performance centrifugal fan DDM

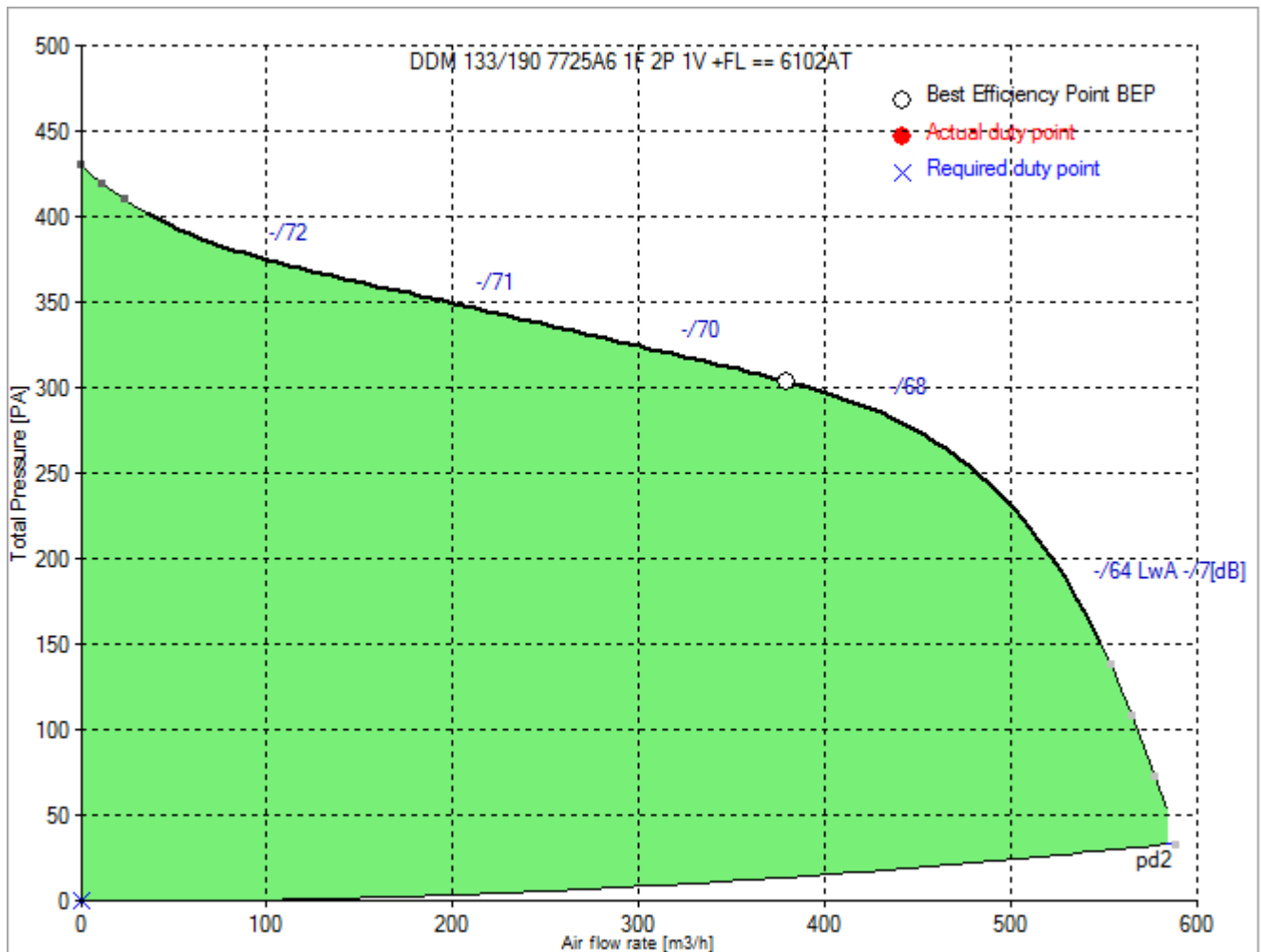
Double width, double inlet (DWDI), direct drive, forward curved blades fan. Spot-welded scroll of galvanised steel plate. Impeller with forward curved blades of galvanised steel plate, directly mounted on a "External Rotor" motor for no transmission losses. Closed (IP 54) frame, single-phase, voltage controllable motor, usable at 230 V, 50 Hz. With built-in thermal protection device. Maintenance free, integral vibration isolators, self aligning ball bearings. Dynamically balanced according to DIN ISO 21940-11. With mounted discharge flange. Air performance ratings according to AMCA 210-99 (Fig. 12), UNI 10531 (Fig 30c and par. 29.2 f) and ISO 5801 (Fig. 69 c and par. 30.2 f).

Technical data of the fan: DDM 133/190 7725A6 1F 2P 1V +FL == 6102AT

EU regulation 327/2011 not applicable

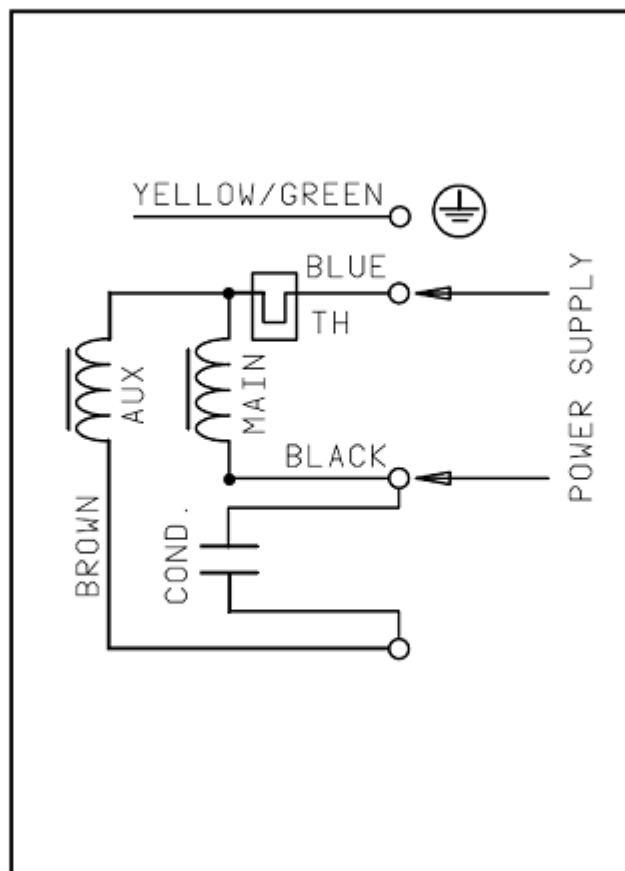
Description	Value Dimension
Specified duty point	
Actual duty point	
Installation acc. DIN 24163 Part 1	B
Reference density (ρ_{01})	1.20 kg/m ³
Medium temperature (t)	20 C
Fan weight	5 kg
Rated data	
Phases-Voltage-Frequency	1~230-50 V-Hz
Number of poles:	2
Motor rating (P_N)	0.09 kW
Rated motor speed (n_N)	2350 min ⁻¹
Rated motor current (I_N)	0,79 A
Capacitor (C)	2,5 μ F
operational limits	
Max. absorbed power (P_{1max})	0.181 kW
Temperature range of conveying medium ($t_{min} \dots t_{max}$)	-20...40 C

Fan curve to DDM 133/190 7725A6 1F 2P 1V +FL == 6102AT



Dimensions to DDM 133/190 7725A6 1F 2P 1V +FL == 6102AT

Rotation: RD
Handing: 90



15-03-2006 11

Wiring diagram for connection to: [mains - motor](#)
Rotation: [LG](#)